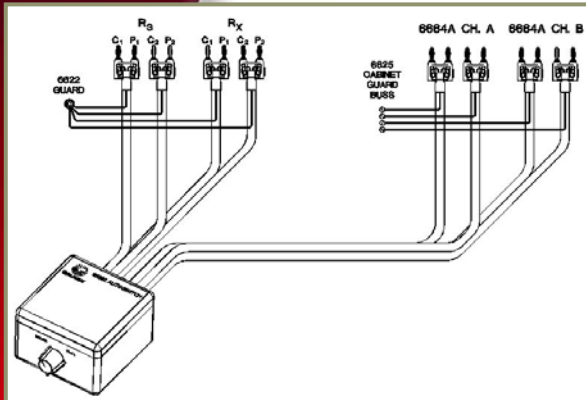


COMPATIBLE WITH ALL 6625 SYSTEMS

PROVIDES EASE OF USE FOR 6634A SERIES OR OTHER RESISTANCE STANDARDS



66252 SERIES FEATURES

- ◆ Allows System Resistance Standards to be used as Resistance Source
- ◆ Available in Rack Mounting or Bench Configurations (No Modifications to System)
- ◆ Usable Resistance Range 0.1 Ω to 100 M Ω
- ◆ Input Impedance $>10^{14}\Omega$
- ◆ Includes Scanner Low Thermal 4-Wire Zero
- ◆ Software Utilities Available
- ◆ Includes lead compensation procedures for low resistance connection to long scale DMM's.
- ◆ Use on any 6625 System
- ◆ Easy to Use, Easy to Install. Can be field installed with minimal tools.
- ◆ Wide Operating Range 18°C to 28°C

Guidline Instruments Limited is pleased to introduce the 66252 DMM Switch for all versions of the 6625 Automatic Resistance Measurement System including the widely fielded 6625AF.

This option allows operators new flexibility and increased productivity when using the 6625 system. For example, the Guildline Model 6634A Temperature Stabilized Resistance Standard, with up to 10 available Resistance Standards, is normally hard-wired on 10 channels of the 6625A-6664A/B scanners. It can be time consuming to remove all the cabling and wires if an operator simply wanted to use the Resistance Standard as a source for requirements such as artefact calibrations, high accuracy DMM's calibration and other metrology applications.

When installed, the DMM Switch allows the 6625 operator to use the System either in a measurement configuration with the 6622A Series Bridges or allows the 6634A resistance values to be used as a stand-alone Standard with outputs on any available free scanner channel. All this without having to change wires or remove cables.

Now use your 6625 System Resistance Standards for both Measurement and Source Applications without having to disconnect wires.

The DMM Switch isolates the 6622A Series DCC Bridge from the 6625 system and interconnects the Rs and Rx scanner channels. This allows you to connect a DMM or other device to any free Rx channel (Line B) and use the Rs channels (Line A) to select the resistance values to be referenced.

To use the DCC Bridge in the 6625 system, simply turn and set the DMM Switch to "Bridge" (Measure) and operators have a wide measurement range from 1 $\mu\Omega$ to 100 M Ω (and 1 G Ω with 6622A-HV). However, if the operator wishes to use the 6634A Resistance Standards (or others) as a source to calibrate high end DMM's, simply set the DMM Switch to "DMM" (source). An operator then has their resistance standards capable of sourcing values from 100 m Ω to 100 M Ω on any free scanner channel.

The model 66252 DMM Switch is a unique, field installable option for the model 6625 Resistance Measurement System.

Additional software utilities are available to allow automatic calibration of precision instruments such as the Agilent 3458A DMM and other Long Scale Multi-meter Resistance Ranges.

66252 DMM SWITCH

The DMM Switch can work with any resistance standard connected to a 6625 System 6664B Scanner. The DMM Switch option also includes a 6664B 4-Wire Zero adapter. The adapter allows for nulling out uncontrolled affects such as lead resistance and thermals from the DMM through the scanner. For example, Agilent recommends zeroing out all lead resistance prior to connecting up any resistance standard. To automate this process, simply connect the leads from the DMM to a free channel on the 6664B scanner. Place the adaptor on another free channel. Select both channels and null out the DMM. All lead and thermal affects have now been accounted for in the measurement process.

Software Compatibility

Utilities will work with Bridgeworks-C or 6625AF Bridgeworks 2.0 and later versions of software. Additional utilities are available, such as 5700 and 5720's to automate calibration of the Resistance function of the Fluke 57XX series Calibrators. Guildline can produce other software utilities which calibrate Resistance Functions for Standards such as Wavetek/Datron, Fluke, Keithley and others. Please contact Guildline for availability and cost.

Need The Ultimate In A Primary Resistance Standard?

Step up to our 6634A or 6636 Series of Temperature Stabilized Resistance Standards.
From 5 to 10 Values with an available Resistance Range of 0.1Ω to 10 TΩ.



When you have had your fill of oil baths, and want the best in a Stand-Alone Resistance Standard today, take a look at our 6634A and 6636 Temperature Stabilized Resistance Standards. With unsurpassed stabilities, its own built-in temperature environment, and temperature coefficients down in the parts per billion (ppb); these Resistance Standards are an excellent addition to any Metrology Laboratory.

ORDERING INFORMATION

66252	DMM Switch (with 6664B Low Thermal 4-Wire Zero)
/Upgrade	Upgrades Bridgeworks-R to Bridgeworks-C Version
/57XX	Bridgeworks-C Fluke 57XX Series Utilities
/3458	Bridgeworks-C Agilent 3458A Series Utilities
/CUS UTL	User Requested System Utility

Optional Standards

6634A-X	Temperature Stabilized Resistance Standard
6634A-TS	Traveling Standard (4 Elements)
6664B	2 Amp, 16-Channel Low Thermal Scanner

GENERAL SPECIFICATIONS

Environmental

Operating Temperature	-20 °C to 60 °C
Operating Humidity	15% to 80% RH non-condensing
Storage Temperature	-20 °C to 60 °C
Storage Humidity	15% to 80% RH

GUILDLINE IS DISTRIBUTED BY:

Guildline Instruments Limited

21 Gilroy Street, PO Box 99
Smiths Falls, Ontario, Canada K7A 4S9
Phone: (613) 283-3000 Fax: (613) 283-6082
Web: www.guildline.com
USA Web: www.guildlineUSA.com
Email: sales@guildline.com
USA Email: Sales@guildlineUSA.com